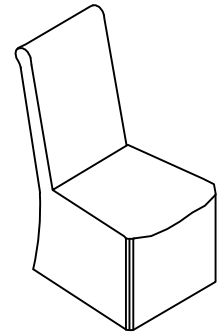

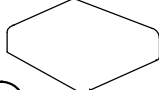
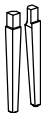





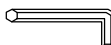



Warning :

- Be sure to check all packing material carefully for small parts, which may have come loose inside the carton during shipment.
- To prevent possible scratches and damage, this furniture must be assembled on a soft surface such as a blanket or carpet.



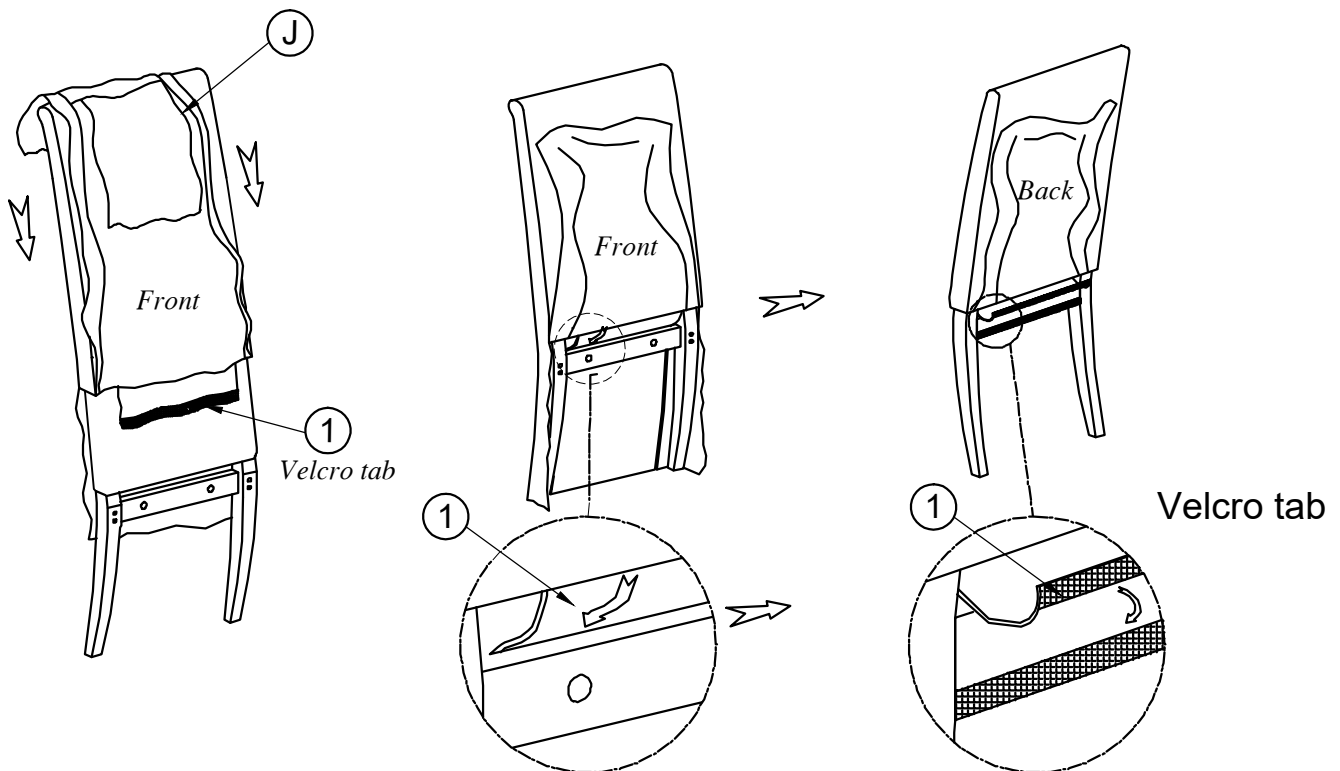
Components and Hardware List

<p>Chair Back</p>  <p>(A) 1 pc.</p>	<p>Seat Frame</p>  <p>(B) 1 pc.</p>	<p>Front Leg</p>  <p>(C) 2 pcs.</p>	<p>Allen Head Bolt Ø5/16" x 18 x 3-3/8"</p>  <p>(D) 4 pcs.</p>	<p>Allen Head Bolt Ø5/16" x 18 x 2-1/8"</p>  <p>(E) 4 pcs.</p>
<p>Allen Head Bolt Ø5/16" x 18 x 1-3/4"</p>  <p>(F) 2 pcs.</p>	<p>Ø5/16" Spring Washer</p>  <p>(G) 10 pcs.</p>	<p>Ø5/16" Flat Washer</p>  <p>(H) 10 pcs.</p>	<p>4mm Allen Key</p>  <p>(I) 1 pc.</p>	<p>Slip Cover</p>  <p>(J) 1 pc.</p>

92650 / 51 / 52
Parsons Uph Chair

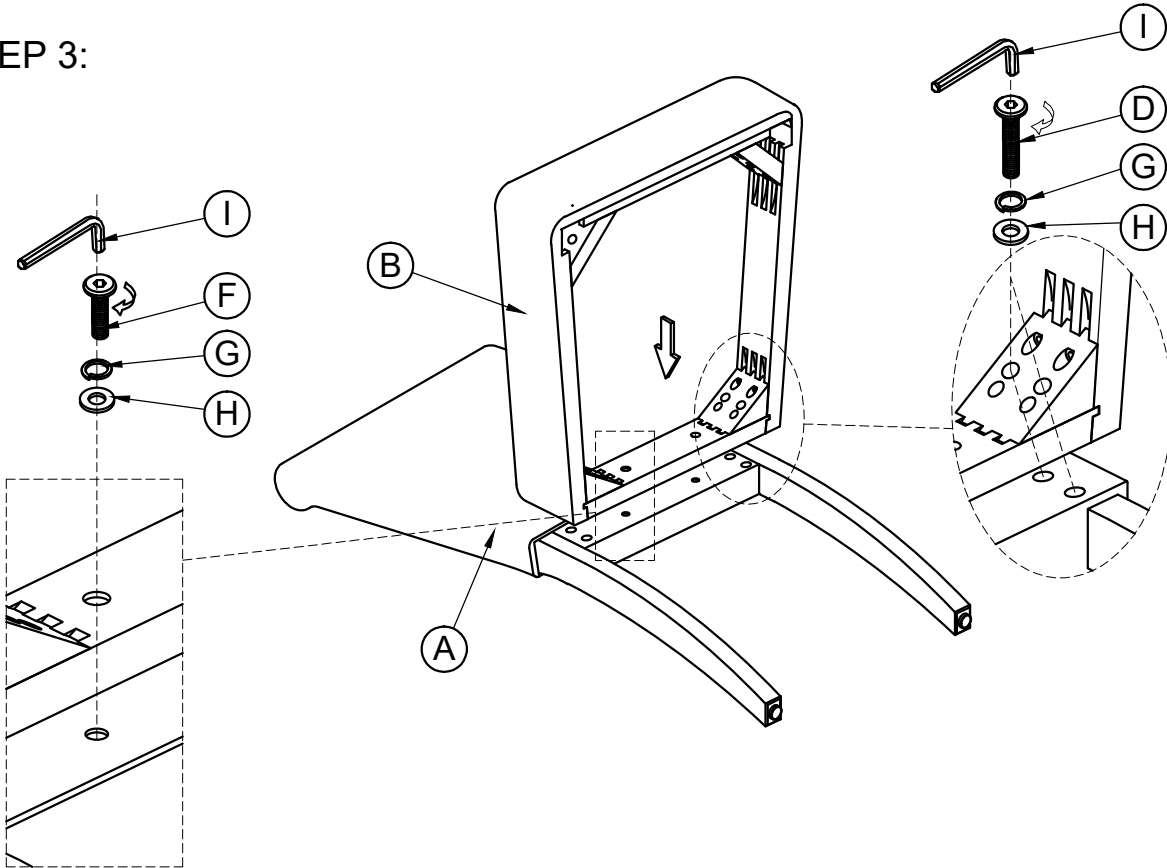
STEP 1:

STEP 2:

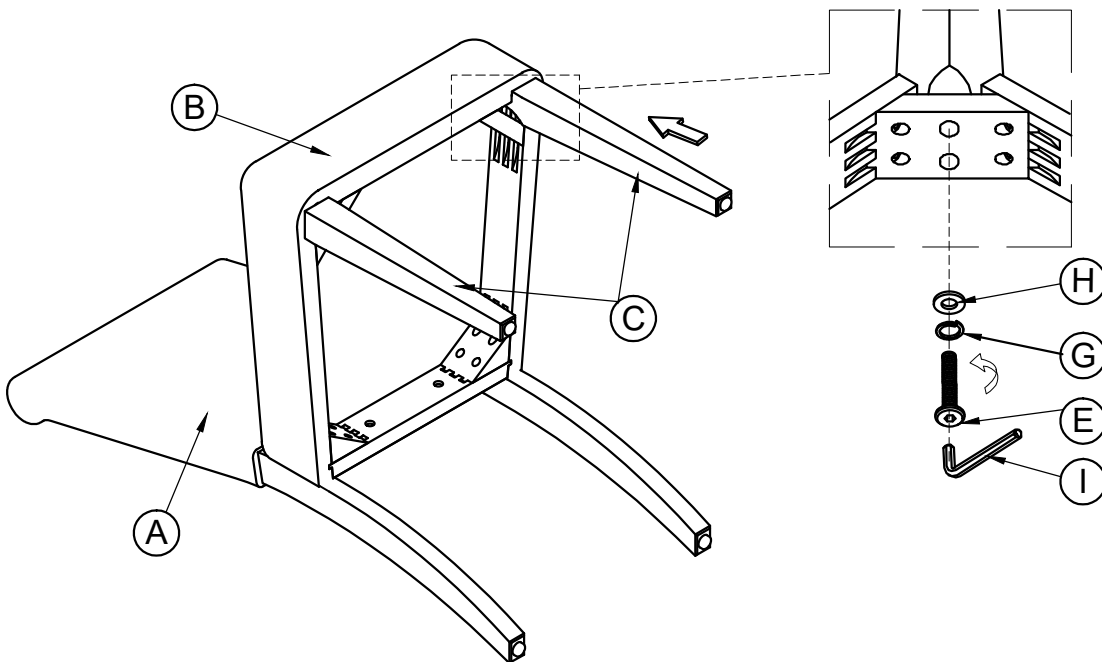


Note: Pull the Velcro tab thru the open area between wood frame and upholstered back and attach to the Velcro strip located on the back side of the wood frame rail

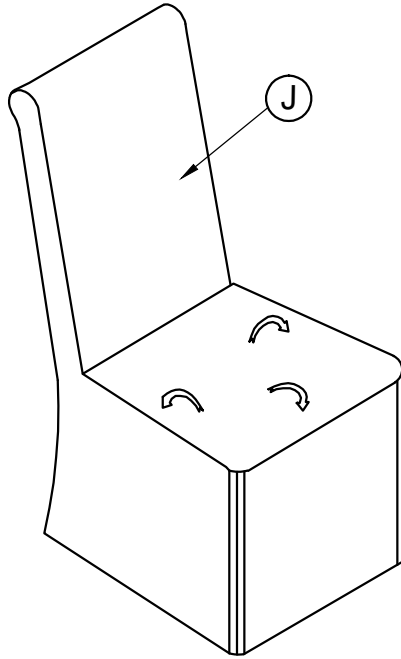
STEP 3:



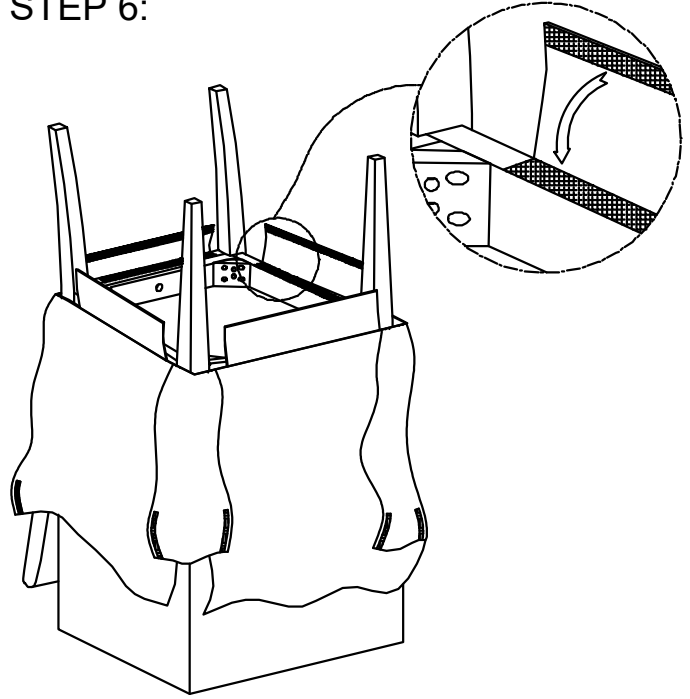
STEP 4:



STEP 5:



STEP 6:



Note : Attach all Velcro strips to the seat frame rails. Attach all Velcro strips around legs.

COMPLETE

